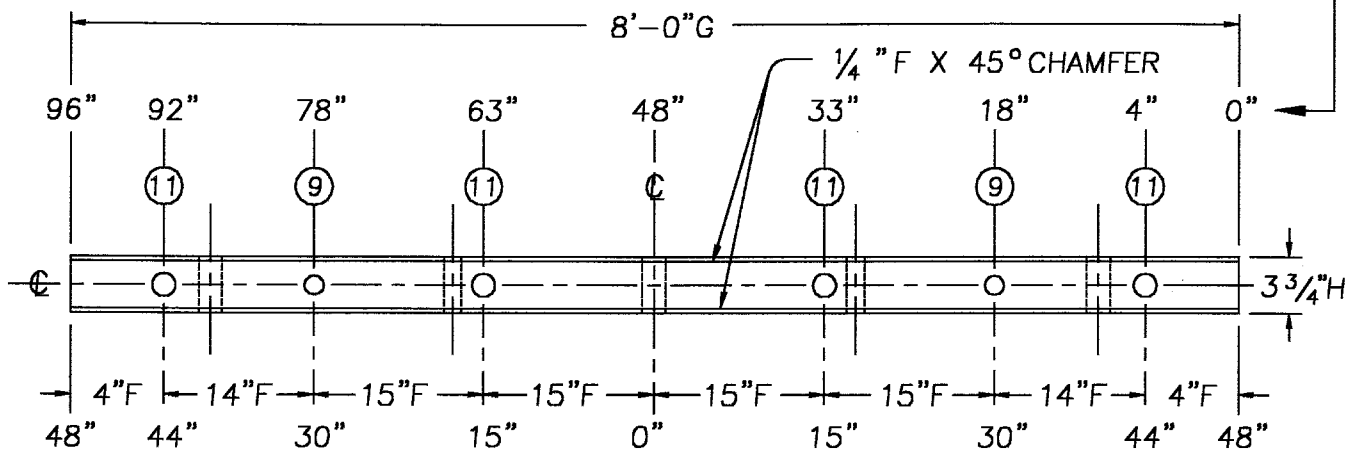
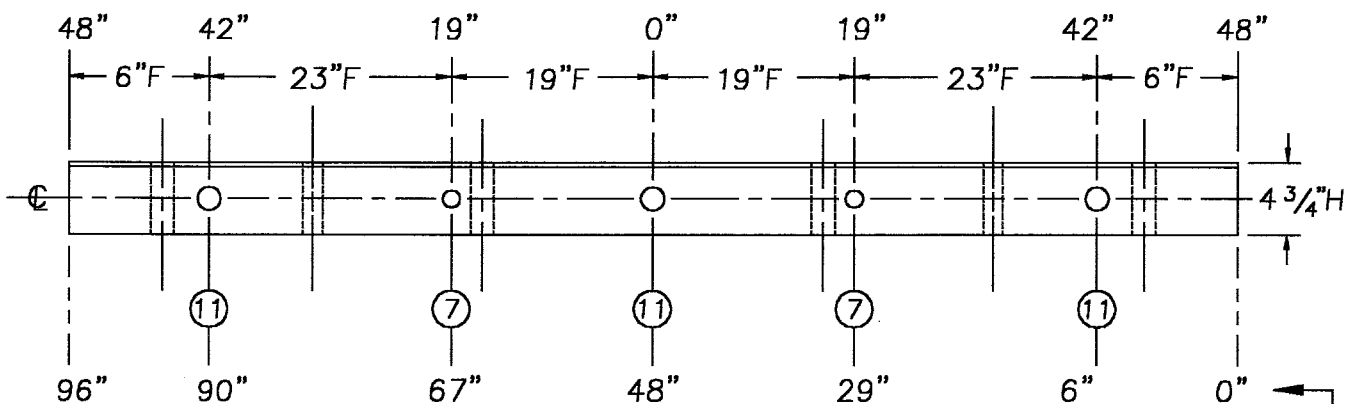


3 3/4" X 4 3/4" X 8'-0"

HOLE LOCATION FROM RIGHT END



HOLE LOCATION FROM CENTER LINE



HOLE CODE

TOLERANCES		
NORMAL	GO	NO GO
⑦ = 7/16" ø	3/8"	1/2"
⑨ = 9/16" ø	1/2"	5/8"
⑪ = 1 1/16" ø	5/8"	3/4"

HOLE LOCATION FROM RIGHT END

TOLERANCES		
	OVER	UNDER
F	1/8"	1/8"
G	1/4"	1/4"
H	1/8"	0"

SPEC REA 1728H-701, 9/93  
 REA DWG M-19  
 AUTOCAD FILE NO. REA-03 FS-12-000317

**BROOKS MANUFACTURING CO.**  
 P.O. BOX 7, BELLINGHAM, WASHINGTON 98227

REA TYPE 03 CROSSARM  
 3 3/4" X 4 3/4" X 8'-0"

NO.	REVISION	DATE	CK.	DRAWN	APPD.	DATE	DWG. NO.
SUPERSEDES				DM	SDS	3/17/00	REA-03 FS